

# 3W LED EMERGENCY BULKHEAD IP65



IP Rating



Protection



Voltage  
220-240V



## Ideal for

- Corridors
- Exits
- Escape routes

## Product Features

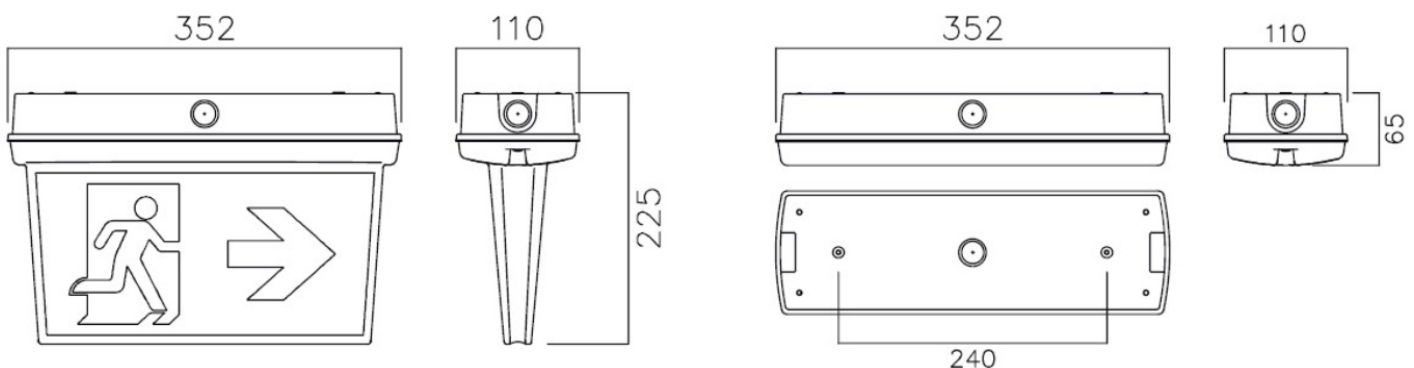
- Polycarbonate base and cover
- Cover fitted to base with stainless steel screws
- Screwless gear tray for instant access to terminal block & fixing points for faster installation
- Supplied with standard ("Man running towards door") legend pack.
- 20mm conduit entry - Lithium (LiFePO4) battery and NiCD battery (not suitable for use below 0°C)
- 150/170 lm on mains 100/133 lm on battery supply -
- 3 hours operation on battery power after mains failure - 20m maximum viewing distance with standard legends
- 30m maximum viewing distance with drop-down attachment
- Can be installed as maintained or non-maintained. Wiring diagrams are supplied in the instruction leaflet.
- **APPLICATIONS**
- - Corridors - Exits - Escape routes
- **OPTIONS**
- Self testing Version is available
- DROP DOWN ATTACHMENT Polycarbonate drop down signage attachment available, c/w legends. Order as separate item.
- RECESSED MOUNTING KIT Semi-recessed mounting kit available.
- Cut-out 360x120mm.
- Order as a separate item. LEGENDS Spare legend packs available.



## Technical Specification:

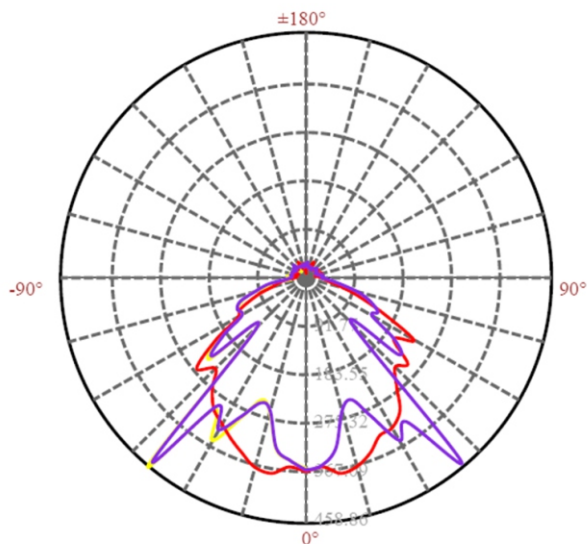
Model	:	YGBH1A
Input Voltage	:	220-240V AC
Power Consumption (W)	:	3W
Light output L100 (lm)	:	150
CCT L100 (K)	:	6500K
Power factor(PF)	:	<0.5
Protection Class	:	Class II
CRI L100	:	>80
IK Rating	:	08
IP Rating	:	IP65
Dimension (mm)	:	352*110*65

## Dimensions Diagram

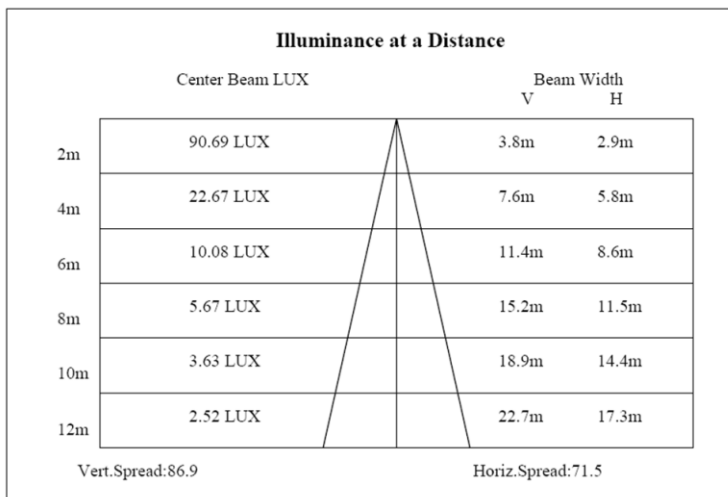


**Distribution Diagram**

**Light Distribution Curve**



**Lux Distance Curve**



**Thank you for choosing ENER-J!**

Customer satisfaction is our TOP priority, please let us know how you felt about your experience. Happy? We are so happy that you are pleased with our product. Feel free to express your newfound joy! Share your experience by writing a review.

Not Happy? If you are not fully satisfied with the item you received, have any problems like damages, or questions, please contact us. We typically respond within 24-48 hours.

**Stuck? Confused?**

Contact our Technical Support team on:  
T: +44 (0)2921 252 473 | E: support@ener-j.co.uk  
Lines are open Mon - Fri (8am to 4pm)